

OPERATION

The JMSVT series is designed using the principles of a tuning fork. Piezo-electric crystals are used to force the forks to oscillate at their fundamental frequency (natural resonance.) If the JMSVT is installed as a high alarm, the forks are free to oscillate in air, as your liquid level rises and covers the forks they are dampened – it is this change in the frequency that indicates the JMSVT to switch. With different electronic outputs to choose from, this allows you to switch a load on / off or interface directly with your PLC. A compact switch with a rugged stainless steel body for use in a wide range of liquids, JMSVT is the stock answer to your level switch needs.

FEATURES

- Heartbeat Led
- Failsafe High
- Magnetic Test Point
- Hygienic Fittings
- Resistant to Bubbles & Vibration
- Reverse polarity protected
- Small Fork for Minimal Vessel Intrusion

SPECIFICATIONS

JMSVTO * Direct load switching
 Power Supply: 21 to 264 ac/dc.....(50/60Hz)
 Max. switched load500 mA
 Max. peak load5 A
 Min. switched load20mA continuous
 Voltage drop 6.5V @ 24V dc / 5.0V @ 240V ac
 Current drawn (load off)<3.0mA continuous
 Supply currentN/A
 Output current (load).....N/A

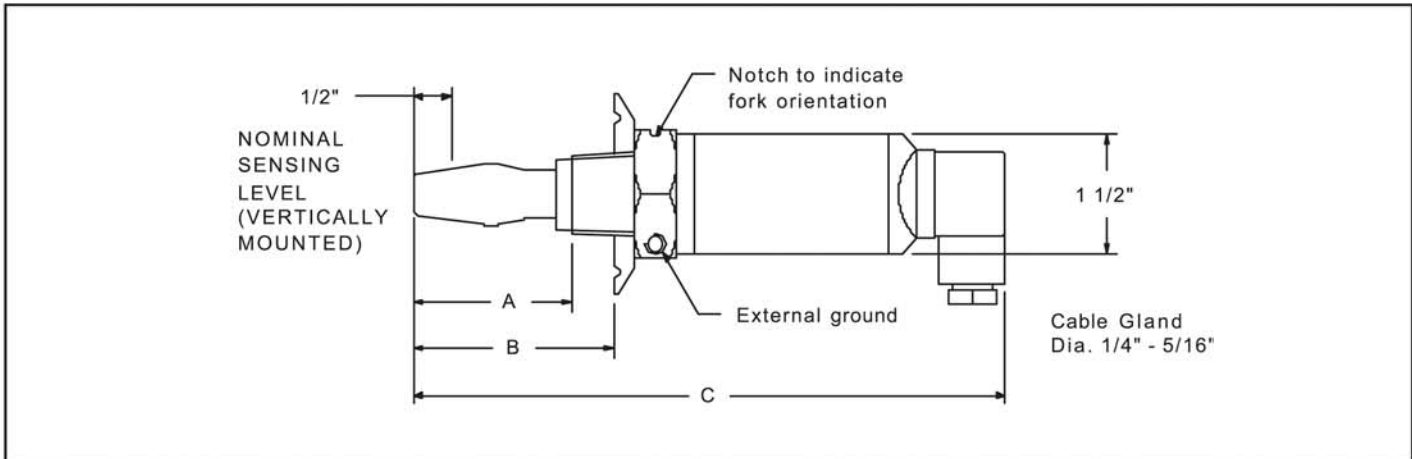
PNP Switching JMSVT1*
 Power supply18-60Vdc
 Max. switched load500 mA
 Max. peak load5A
 Min. switched loadN/A.
 Voltage drop<3V
 Current drawn (load off)N/A
 Supply current.....3 mA nominal
 Output current (load off)<0.5 mA



TECHNICAL DETAILS

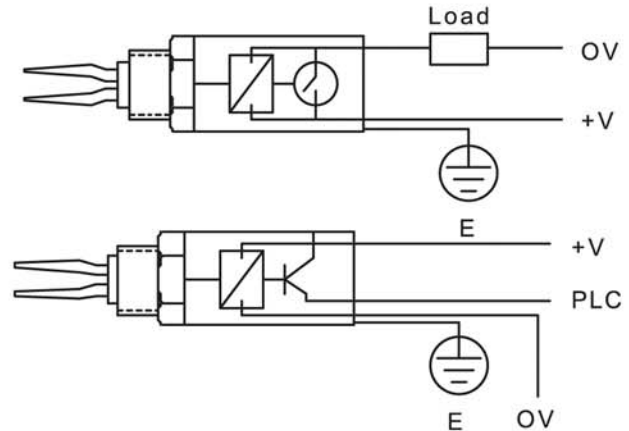
Wetside material	316L Stainless steel
Gasket (1" BSPP model only)	None-asbestos
Body	304 Stainless steel
LED window	Flame retardent Polyamide (Pa12) 12 UL94 V2
Plug	Polyamide (+G) Plug seal Nitrile butadiene rubber
Protection rating	NEMA 4X
Operating temperature range	-40 DEG. F to +302 DEG. F CIP cleaning 10,000 cycles for 30 minutes
Ambient temperature range	-40 DEG. F to 176 DEG. F (derated) to 122 DEG. F at 302 DEG. F wetside
Max. pressure	1480 PSIG
Specific gravity range	0.6 to 2.0 Liquid viscosity range 0.2 to 10,000 cps
Switching point (water)	1/2" from tip (vertical) / from edge (horizontal) of fork
Hysteresis (water)	+/- .04" Switching delay 1 second dry to wet / wet to dry

DIMENSIONS



MODEL SELECTION GUIDE

JMSVT MINI TUNING FORK SWITCH		
MODEL	SWITCH TYPE	CONNECTION
JMSVT00	Direct Load	3/4" BSPT
JMSVT03	Direct Load	1" BSPT
JMSVT05	Direct Load	3/4" NPT
JMSVT07	Direct Load	2" Tri-Clamp
JMSVT0F	Direct Load	1" BSPP
JMSVT0L	Direct Load	1" BSPP Semi-Extended
JMSVT10	PNP	3/4" BSPT
JMSVT13	PNP	1" BSPT
JMSVT15	PNP	3/4" NPT
JMSVT17	PNP	2" Tri-Clamp
JMSVT1F	PNP	1" BSPP
JMSVT1L	PNP	1" BSPP Semi-Extended



JMSVT07 & JMSVT17 POLISHED TO 32 µin Finish
(16 µin Finish Optional)

